

PLEASE CHECK WWW.MOLEX.COM FOR LATEST PART INFORMATION

Part Number: **0438790025**
Status: **Active**
Overview:
Description: 4.20mm (.165") Pitch Mini-Fit CPI™ Header, Compliant Pin Interface, Dual Row, Vertical, 10 Circuits, Tin (Sn) Plating

Documents:

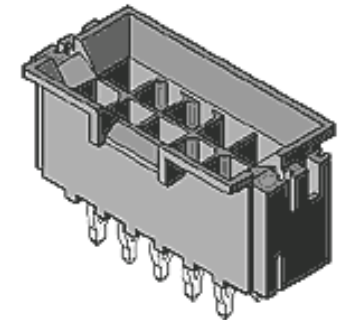
[3D Model](#) [Product Specification PS-43879-001 \(PDF\)](#)
[Product Literature \(PDF\)](#) [RoHS Certificate of Compliance \(PDF\)](#)
[Drawing \(PDF\)](#)

General

Product Family	PCB Headers
Series	43879
Application	Board-to-Board
Application	Wire-to-Board
Application Tooling Part Link	622005800
Application Tooling Part Link	622009400
Comments	Square Pin Compliant Pin
Overview	Mini-Fit CPI™
Product Name	Mini-Fit CPI™

Physical

Breakaway	No
Circuits (Loaded)	10
Circuits (maximum)	10
Color - Resin	Black
Durability (mating cycles max)	30
First Mate / Last Break	No
Flammability	94V-0
Glow-Wire Compliant	No
Guide to Mating Part	No
Keying to Mating Part	None
Lock to Mating Part	Yes
Material - Metal	Brass
Material - Metal	Phosphor Bronze
Material - Plating Mating	Tin
Material - Plating Termination	Tin
Material - Resin	High Temperature Thermoplastic
Number of Rows	2
Orientation	Vertical
PC Tail Length (in)	0.250 In
PC Tail Length (mm)	6.35 mm
PCB Locator	No
PCB Retention	Yes
Packaging Type	Tray
Pitch - Mating Interface (in)	0.165 In
Pitch - Mating Interface (mm)	4.20 mm
Pitch - Term. Interface (in)	0.165 In
Pitch - Term. Interface (mm)	4.20 mm
Plating min: Mating (µin)	100
Plating min: Mating (µm)	2.50
Plating min: Termination (µin)	100
Plating min: Termination (µm)	2.50
Polarized to Mating Part	Yes
Polarized to PCB	No
Shrouded	Partial



Series image - Reference only

EU RoHS

ELV and RoHS Compliant

REACH SVHC

Contains SVHC: No Halogen-Free

Status

Not Halogen-Free

Need more information on product environmental compliance?

Email productcompliance@molex.com
Please visit the [Contact Us](#) section for any non-product compliance questions.

China RoHS



Search Parts in this Series

43879 Series

Mates With

#####

Application Tooling | FAQ

Tooling specifications and manuals are found by selecting the products below. Crimp Height Specifications are then contained in the Application Tooling Specification document.

Global

Description	Product #
Flat Rock Tool for Mini-Fit CPI™ Header	0622009400
T2 Terminator Tooling Die for MLX™ Crimp Terminals, 14-20 AWG	0622005800

Stackable	No
Surface Mount Compatible (SMC)	No
Temperature Range - Operating	-40°C to +105°C
Termination Interface: Style	Through Hole - Compliant Pin

Electrical

CSA	LR19980
Current - Maximum	6A
TUV	R72081037
UL	E29179
Voltage - Maximum	600V

Material Info

Reference - Drawing Numbers

Product Specification	PS-43879-001
Sales Drawing	SD-43879-021

This document was generated on 11/05/2009

PLEASE CHECK WWW.MOLEX.COM FOR LATEST PART INFORMATION